

# MENSA HEATING®

MAKES YOU WANT TO STAY



## IMUS

Season Extender

**Specification Sheet**

# IMUS

## IMUS

For the garden, balcony or camping.

Imus provides eco-friendly outdoor heat exactly where you want it. Imus is designed to fit under your existing garden table to make those long cozy evenings even longer. Soothing heat from harmless infrared light is used to increase vibrations in our cells which then heats up the body.

Because Imus's infrared heat source is placed to optimize the body's natural heating system, the end result is a pleasant soothing heat throughout.

Extend your season using MENSA HEATING's innovative heat technology. Extend your outdoor season by several months. Soak up the relaxing and comfortable warmth as it rises up through the body leaving you to enjoy the pleasure of the outdoors late into the season.

Imus slots easily under a table, so it's quick to take out or move back in after a pleasant evening on the patio, balcony or even out camping. Simply plug the product into an outlet to enjoy immediate soothing warmth.



### **NEW GENERATION ADAPTED TO THE ENVIRONMENT**

Mensa Heating delivers the most environmentally friendly patio heaters on the market for outdoor heating. With these products Mensa Heating will ensure that this new generation of patio heaters, respect the environment. With the most environmentally friendly products, Mensa Heating is able to present a CO2 saving of 89% compared to a traditional gas heater.

### **SOOTHING HEAT**

Harmless infrared light is used to increase vibrations in our cells, which then heats up the body. Because Imus' infrared heat source is positioned to optimize the body's natural heating system, the end result is a pleasant soothing heat throughout.

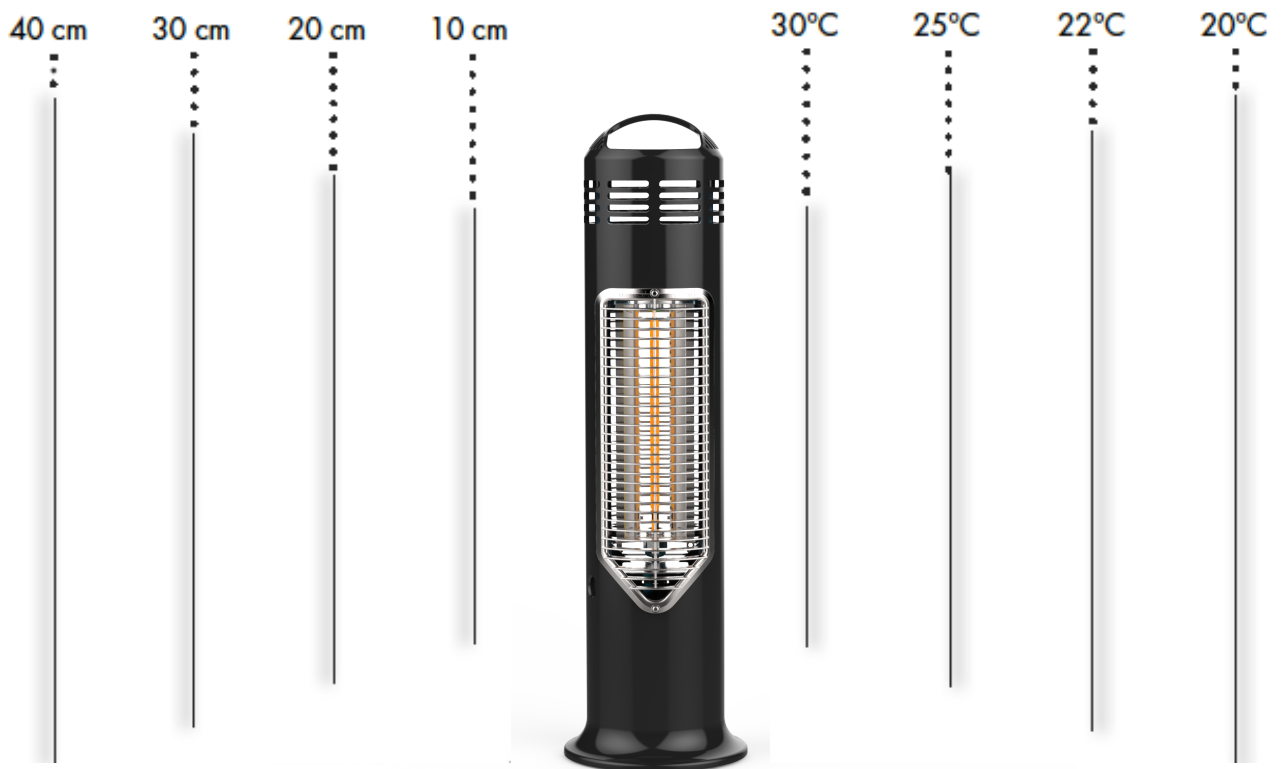
### **DESIGNED WITH YOUR BODY IN MIND**

To maintain warmth for our vital organs our bodies automatically react to cold by reducing the flow of blood to our extremities, which is why our arms and legs are usually the first places to feel the chill. Imus' heat source is specially designed to fit below the table, allowing soothing warmth to spread up through the body. By making sure that your legs are nice and warm, Imus allows your body to circulate this warmth evenly and naturally.



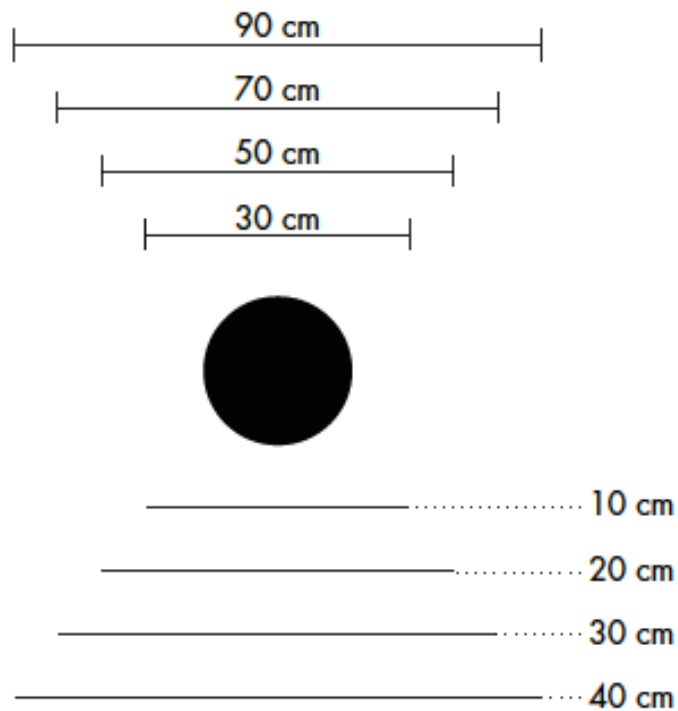
### Heat radiation IMUS - 550 watt

Measurements in, windless conditions with a surrounding temperature of 16,5°C



### Heat spread of IMUS

Top = heat spread / Bottom = distance from heater



## Specifications - IMUS

### - Design

Mikael Mammen / Mensa Heating

### - Description

Imus is a portable heater with electrical powered infrared heat. Intended to extend your outdoor season from spring into the fall. Imus is fitted with an On/Off switch, overheat sensor, handle in the top and high temperature plastic tube (heat protective).

Available Black (+All RAL colors)

A plug and Play product

### - Heat specification

Imus is designed to heat 2 persons sitting on each side of the heater, using a 550 watt short wave infrared heating bulb. The bulb is placed inside Imus, in a bipolar reflector plate lamp house, with protective grills, securing a Safe To Touch function.

### - On/Off switch

Placed on the side of the heater (1)

### - Heat protective grill (Safe To Touch)

The grills on the product, secures a Safe To Touch function. (2)

### - Ventilation holes

In the top of Imus there are ventilation holes which keep Imus cool doing use. (4)

### - Handle

On the top of Imus there is a handle for easy maneuvering (5)

### - Foot

Heavy foot to stabilize the product (3)

### - Power Supply

Imus is powered with 230 ~ AC 50 HZ

(Also available in: 100-110V)

3 meter cable

### - Power outlet requirements

Mensa Heating's products must be connected to a power outlet with ground (GND)

### - Weight

3,6 kg

### - Measurements

67,2 cm X 20 cm

### - Power consumption

550 watt

### - Bulb Rated lifetime

5.000-7000 hours (changeable)

### - Surface finish

Colors: full dyed plastic

Chrome (grill)

### - IP Rating (waterproof)

IP44

### - Overheat sensor

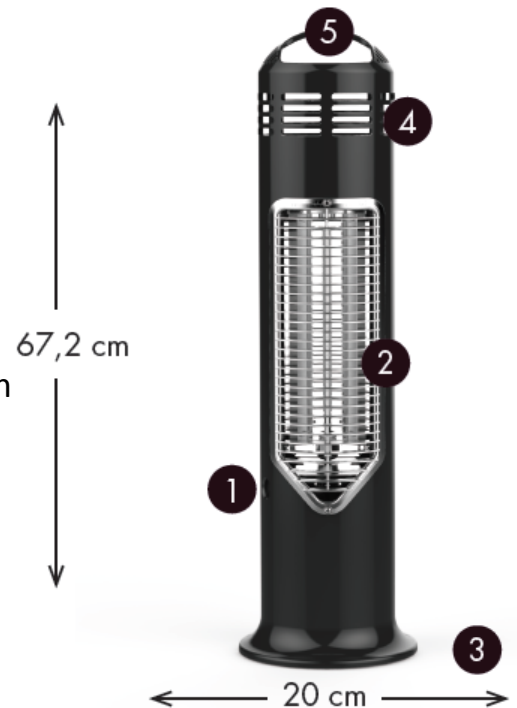
With manual reset If activated

### - Savings compared to a gas heater

94% in running cost, 89% in CO2

### - Approvals

CE, RoHS, REACH, EMC, cETLus



## Important instructions / Warning

Read all instructions before using this heater

- Use the heater only on flat and stable ground.
- Do not cover the product or the heater's grill. (2),(4),(5)
- Do not use under a table with a tablecloth that extends more than 4 cm of the table edge.
- Do not use a blanket while using the heater, as this may block the heater.
- Do not place bags, rugs or other objects in such a way that they block the grill. (2)
- Do not use the heater close to curtains and other combustible materials.
- Required space between bottom of the table and the top of the heater is 5 cm.
- Do not insert foreign objects into the heat source behind the grill. (2),(4)
- Connect the product only to outlets with earth (GND).
- Do not place the heater directly below a socket outlet.
- Do not use the heater in the immediate surroundings of a bath, a shower or a swimming pool.
- Always take the product indoors after use, and let the product cool off before packing it away
- Do not use this heater outdoor during bad weather like rain, storm or snow.
- Do not use this heater with a programmer, timer or any other device that switches the heater on automatically, since a fire risk exists if the heater is covered or positioned incorrectly.
- This appliance is not intended for use by persons (including children) with reduced physical, sensory or mental capacity unless they are supervised and instructed by a person who is responsible for their safety.
- **RISK OF LOSS OF LIFE AND ACCIDENT TO INFANTS AND CHILDREN!**  
Never leave children unsupervised with the packaging materials or the product. There is a risk of suffocation and loss of life from electric shock.